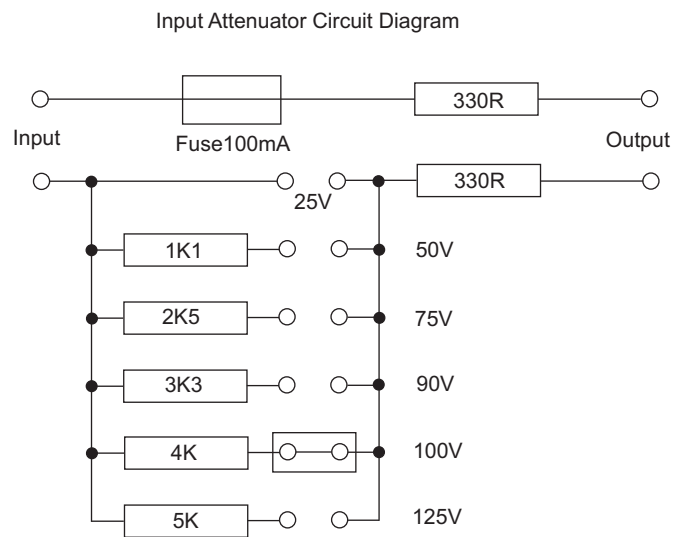
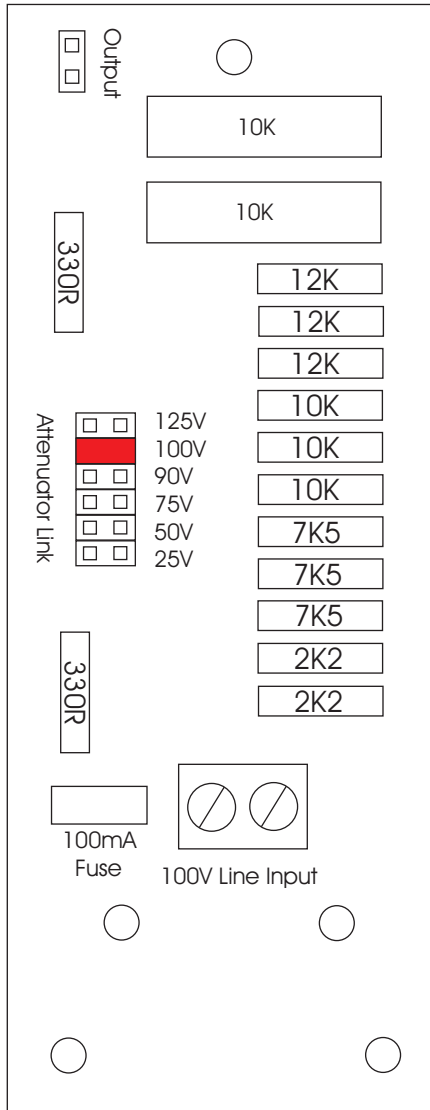


DRAWINGS

5.4 Input Attenuator Detail



WARNING: Do NOT use a lower tap than necessary

Telephone Dialup Input Attenuator Instructions

Telephone Dialup Unit Revision B input PCB allows you to match a 100V line input signal to the telephone line and achieve the best signal to noise ratio with minimum distortion. Note that there is a maximum level that can be transmitted down a telephone line before the signal becomes distorted and broken. Ensure that the signal remains of good quality during loud passages by moving the attenuator link to a higher input voltage setting. **DO NOT** overload the telephone line by trying to transmit excessively loud signals - Your TDS will cut off if the level is too high, or you may blow the protection fuse (100mA).

When using a low level input signal (+4dBV) via the front panel XLR socket, disconnect the input attenuator PCB by removing the link cable to the main circuit board. This ensures minimum signal loading.