

Handbook Contents

- * Safety
- * Installation
- * Facilities
- * Operation
- * Troubleshooting
- * Warranty
- * Technical Details

Box Contents

- 1 x TDS1 S/R
- 1 x Power Supply
- 1 x Telephone Lead
- 1 x Handbook



This symbol is used to alert the user to important operating or maintenance instructions.



The Lightning bolt triangle is used to alert the user to the risk of electric shock.

SAFETY

1. It is important to read these instructions and follow them.
2. Keep this instruction manual for reference.
3. Do not operate this unit in a damp environment. It is not waterproof.
4. Refer installation and servicing to qualified personnel.
5. This unit is double insulated and safe to use without an earth connection. The case does not connect to a protective earth unless provided by the screen of the line input XLR connector (pin 1).

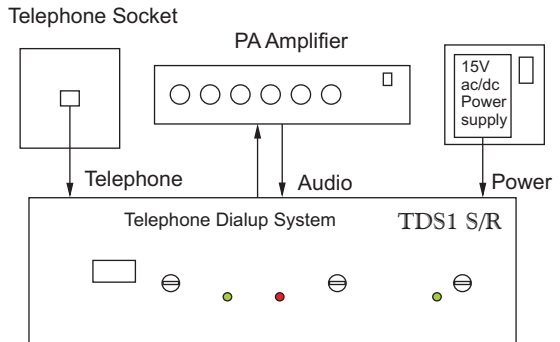
INSTALLATION - Please read ALL this Manual before starting

First of all, plan your installation and decide where to fit your TDS1 S/R. It needs to be close to a telephone socket, have mains power and an audio signal feed. In MANUAL mode, you will be using a telephone to call the listener, so it may be convenient to install the unit in an ante or side room where no-one will be disturbed by your conversations. The TDS1 S/R generates virtually no heat and so can be installed in any dry, convenient location.

Unpack the unit and check the contents against the list above. As supplied, the TDS1 S/R is set to 100V line working and the three hour timer enabled.

You will need the following to get your TDS1 S/R to work:

- Working telephone line
- Audio signal
- Mains power
- Another telephone eg a mobile to test operation.
- Two small screwdrivers, a posidrive to remove the lid and a flat blade to adjust the volume presets.



INPUT ATTENUATOR

Telephone Line In

XLR Audio Input

XLR Audio Output

Facilities Socket 1

Facilities Socket 2

Power In

□ □ Link Out

■ ■ Link In

100V Line In

J1 J2

100V Line In

2V J10

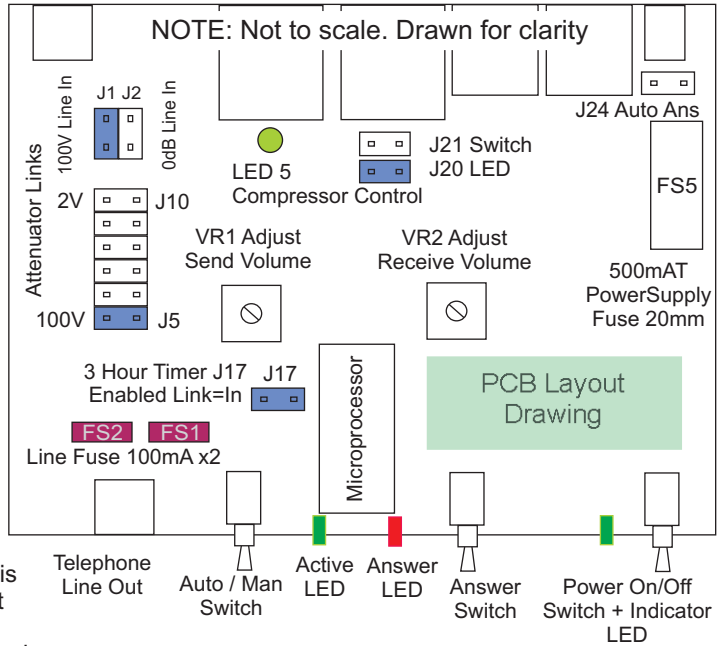
5V J9

15V J8

35V J7

75V J6

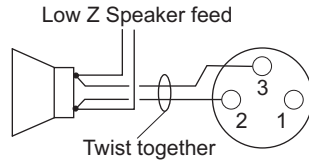
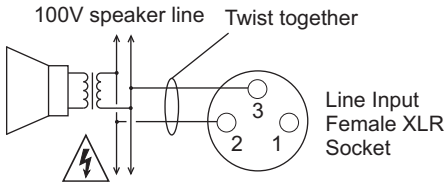
125V J5



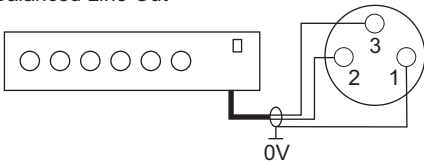
As shown the attenuator is selected (J1) and the unit set for a 100V (J5) input signal. This might be typical

of a 100V line loudspeaker feed. Always start with link J1 + J5 and move towards J10. LED 5 should flash **weakly** to peak sounds. Note the gain control does NOT affect LED brightness. J2 is for line level signals (0.775V 0dB) only and disables J5-J10.

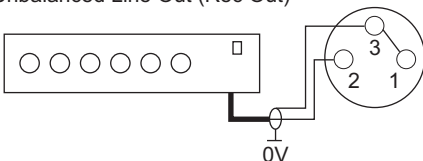
Audio Inputs



Balanced Line Out



Unbalanced Line Out (Rec Out)



****IMPORTANT****

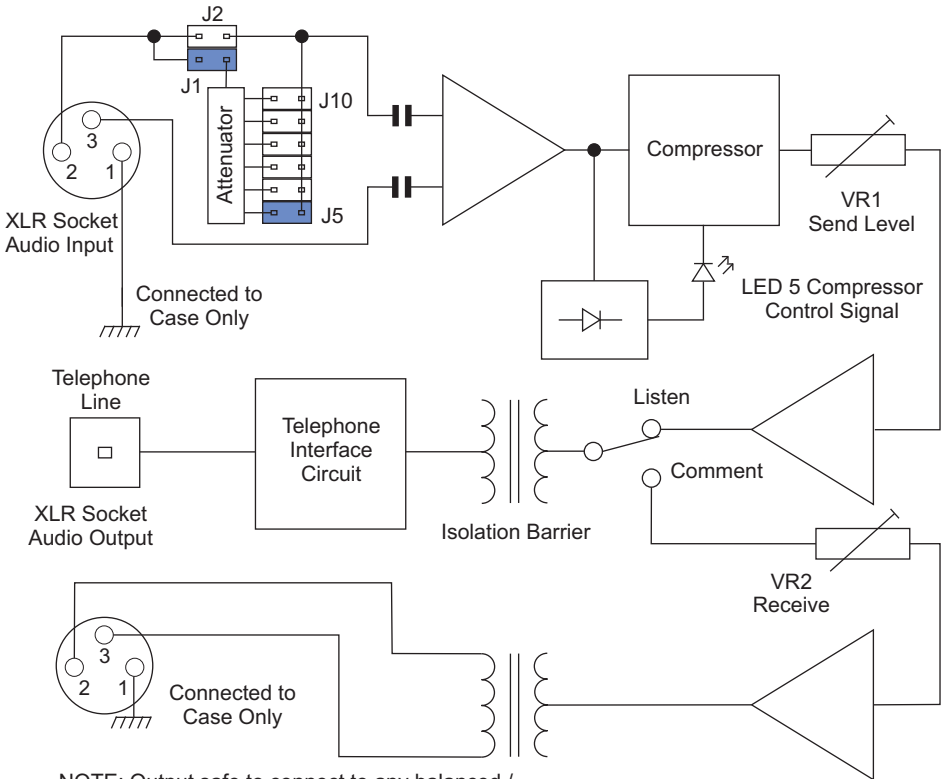
If using a 100V line signal, you **MUST** set the attenuator to the highest setting (J1 + J5) **BEFORE** turning your TDS1 S/R on for the first time. There is a risk of damaging the input circuits if you ignore this advice.

Start by wiring in the audio feed cable and terminate with a male 3 pin XLR plug. Wire the XLR plug according to the type of input signal as shown. Note that pin 1 of the XLR connects to the case of the TDS unit and should be grounded at the source end.

The TDS1S/R has a balanced 3 wire audio input which allows it to work remotely, without electrical interference, even with long lengths of feed cable attached. You can use an unbalanced low level 2 wire feed (eg record out), but keep the feed cable short (<2m) to avoid hum and noise interference. Unbalanced inputs should have pins 1 and 3 connected together and both of these connect to the screen (braid) of the incoming audio feed cable.

The signal source can be any line level signal from 0.5V up to a 100V line speaker feed. Taking the output from the terminals of a loudspeaker will also work, though you will need a much lower attenuator setting (around 15V).

⚠ WARNING It is possible to get an electric shock from a 100V speaker line during peak audio output. Switch the PA system off to prevent the risk of electric shock when making connections.



NOTE: Output safe to connect to any balanced / unbalanced input including phantom powered microphone inputs.

Setting Up

Remove the case lid.

Turn the TDS1 S/R on. Check the green power light illuminates continuously. Check the Active light flashes, once for AUTOMatic, twice for MANual. This confirms the microprocessor is running.

Play a CD at normal volume over the PA system.

Adjust the attenuator settings until the internal light (LED 5 immediately behind the input XLR socket) flashes (**weakly**) in time with the CD audio signal. If the signal is too small, move the attenuator link one position eg from J5 to J6 (or J7 to J8 etc) until the light flashes. With a very small input signal such as a record output or line level input (0dB), move link J1 to J2 (this disables the attenuator). Note that the volume control VR1 has no effect upon LED5.

Do not overload the input circuits by trying to get LED5 to flash brightly and all the time. In this case, less is best. It should flash dimly and ONLY on loud portions of signal. If set too high, the sound will be over compressed and the gain will 'pump' and sound unnatural.

Adjust VR1 to set the correct Send level down the telephone line whilst listening on the test telephone. Do not try to set this too loud or your signal will distort.

Adjust VR2 to set the correct Receive level from the telephone line into your sound equipment.

AUTOMatic Mode

Switch the TDS1 S/R to AUTOMatic.

Dial the TDS1 S/R telephone line from another telephone. The call should be answered immediately, the Active light should illuminate and you should hear the CD playing.

Adjust VR1 to get the best quality signal. If the sound is distorted or crackles, reduce VR1 until the sound is clear.

You may need to select a different attenuator link (J5-J10) to get the best performance. Some experimentation will quickly determine the optimum settings.

Release the call.

The TDS1 S/R should clear down and reset.

Redial the TDS1 S/R telephone line.

The TDS1 S/R should again answer the call and connect to the PA sound.

Release the call.

With link J24 enabled, the TDS1 S/R will auto answer in receive mode.

MANual Mode

Plug a telephone into the front of the TDS1 S/R and call the test telephone.

Answer the call.



Briefly move the switch on the TDS1 S/R to the H/R (Hold / Release) position. The Active light should illuminate. You should now hear the PA system through the test telephone and be able to talk to the other telephone as well.

Replace the handset on the telephone plugged into the TDS1 front panel. You can unplug the telephone if you wish.

You should remain connected and be able to hear the PA system through the test telephone.

To end the call, press and hold the switch down to the H/R position for around three seconds or until the Active light extinguishes. Your test telephone should now be disconnected from the PA system.

3 Hour Timer Link

J17		Link Out - 3 hour timer disabled	J17 can be found to the left of
Link		Link In - 3 hour timer enabled	the microprocessor.

An additional safety feature is available when the TDS1 S/R is used in MANual mode. Under normal circumstances, once established, a MANual call, held by the TDS1 S/R, would remain connected indefinitely. For long meetings, this may be desired. However, for shorter meetings, the possibility exists that the TDS1 S/R operator may forget to disconnect the call and this could be expensive in call charges. By enabling the 3 hour timer link (J17), the TDS1 S/R will automatically release the call after 3 hours.

Answer Mode

The TDS1 S/R can be operated in Send or Receive mode. The audio direction is controlled by the Send / Receive switch mounted on the front panel and is also available as a remote control function via the facilities connector. To listen (receive) audio from the distant end, simply operate the Receive switch. To restore normal transmission, return the switch to the Send position.

Note that the Send / Receive switch has three positions.

- In the UP direction, the switch locks and puts the TDS1 S/R into permanent Receive mode. Use this setting if you want to receive audio from a distant source eg listen in to a remote program.
- In the Center (OFF) position, the TDS1 S/R works normally in both automatic and manual modes. ****Important**** Leave the switch in the OFF position if you want to use the remote Send/Receive switching (via Facility socket).
- The DOWN position is a momentary contact and is used, usually by the sound operator, to listen to comments. Release the switch when the answer is finished.

Note that switching by this method allows the TDS1 S/R to be used as the listening end of a telephone hookup system where one location can connect and listen in directly to the sound system of another remote location. It would have been possible to fit a transmission bridge to allow simultaneous '2 way' conversation (eg similar to a radio station phone-in) but this would have made the unit very expensive. If you want a similar system to that used by radio stations, visit www.sonifex.co.uk and search for HY-03. Cheaper units are available but these tend to introduce echo and feedback (high pitched ringing noise) into the sound system.

The TDS1 S/R introduces no feedback or echo at all though at the expense of a manual switch to change from send to listen mode.

The audio output is transformer balanced and can be adjusted by use of VR2. The output is safe from phantom power microphone voltages and is capable of driving long distances without interference.



NOTE

If power is lost when a call is established, connection will be lost and the call must be re-established.

Auto Answer Link J24

When J24 is enabled, the TDS1SR will be in permanent Answer mode. If set to AUTOMATIC, this means the TDS1SR will answer an incoming call and forward audio from the telephone line through to a sound system. This happens regardless of how the front panel (or remote) Normal / Answer switch is set.

This function can also be done remotely by wiring a switch across pins 3 and 5 of remote socket 2. Close the switch to enable permanent answer mode.

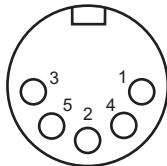
TDS1 S/R Facility Sockets

The two facilities sockets are for advanced users who want to extend the capabilities of the TDS. They allow remote AUTO / MAN switching, remote Answer, provides a remote Active light indicator and either a remote start facility that switches to 0V on connection (J21), or, a second Active light indicator (J22).

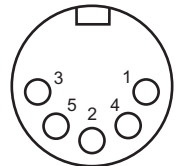
If a bi-directional LED is used, it can show green for Active and switch to red for Answer.

Facility Sockets Connector Wiring

TDS1 S/R
Facilities Socket 1
is a 5 Pin DIN
Connector



TDS1 S/R
Facilities Socket 2
is a 5 Pin DIN
Connector



Pin Description

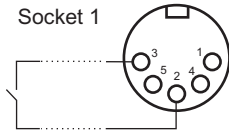
- 1 Remote Start / LED2
- 2 0V
- 3 Remote AUTOMATIC
- 4 Remote LED
- 5 Remote MANual

Pin Description

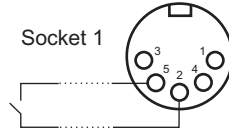
- 1 Bi-Directional LED A
- 2 0V
- 3 Remote Receive
- 4 Bi-Directional LED B
- 5 Remote Answer

Facility Sockets Wiring Diagrams

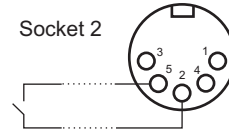
Close switch to enable
AUTOMATIC
mode



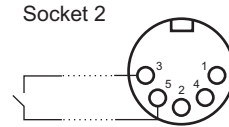
Press switch to
Hold / Release
a MANUAL call



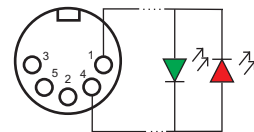
Close switch to
change to
Answer mode



Close switch to
transmit in
Answer mode
(J24 out)

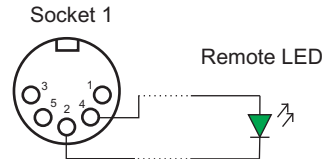


Remote Active
/ Answer LED

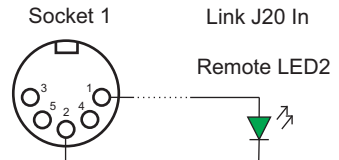


This can be any Bi-Directional LED and does not need a series resistor. Active would normally be green and Answer, Red. If the colours are wrong, reverse the connections.

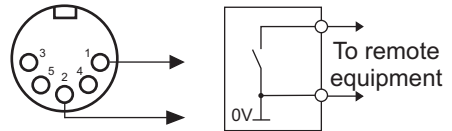
Remote LED (No resistor needed)



Remote LED2 (No resistor needed)

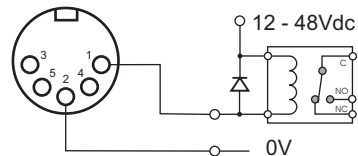


Remote Start Socket 1 (Link J21 in)



Remote Start equivalent circuit.
Pin 1 Socket 1 (J21) In

Socket 1 Remote Equipment



Remote start possible uses

NOTES

Pin 2 (0V connection). To make it easier to connect multiple return wires to pin 2, solder a thick length of wire onto the pin to extend it by 10-15mm. Solder the returns onto this thick wire. Insulate connections to prevent short circuits between pins.

Use a fine tipped soldering iron to make connections. Whilst short circuited connections are unlikely to damage your TDS1 S/R, they certainly won't help matters! Check all connections thoroughly and insulate between pins.

Ensure that the switch on the TDS1 S/R is set to MANUAL if you wish to use remote switching. (Otherwise the remote AUTOMATIC mode will not work).

TDS1 S/R OPERATION

Switch the TDS1 S/R on. Note the green power light illuminates and the Active light flashes, one flash for automatic operation, two flashes for manual. This confirms the microprocessor is running. If a remote indicator is fitted, this flashes in sympathy with the Active light. The TDS1S/R is now ready for use.

MANual mode Put the switch to **Manual**. In this mode, both the Dialup unit and a normal telephone need to be connected to the line. Dial the number of the person nominated to listen in and wait until connected. After establishing connection move the switch from the Manual position to the **H/R** (Hold / Release) position and keep it pressed until the green Active light comes on and you can hear sound from the system. Replace the telephone handset (hang up). The Active light remains on and the called person can hear the program. Press the **H/R** switch for about 3 seconds at any time to disconnect the Dialup and end the call - green Active light goes out. The call is automatically ended after about 3 hours as a safety precaution though this option can be defeated by moving an internal link.

Note that the TDS1 S/R when set to the **MANual** position and not holding a call, is effectively disconnected and will not answer calls or transmit any audio. This can be useful if confidential meetings are scheduled and it is important not to allow anyone to listen in.

Automatic Mode When set to **AUTO**matic there is nothing to do - the first incoming telephone caller is automatically connected to the sound system and remains connected until they choose to terminate the call. Pressing the H/R switch has no effect and will not release the line. Turn off the power to disconnect the caller if necessary.

Answer Mode When set to answer, the caller can speak down the telephone line and be heard through the sound system. The Red answer light illuminates on the TDS1 S/R and if a bi-directional remote LED is fitted, it changes colour from green to red.

General Operating Pointers The sound operator will need to think about his new role in broadcasting the program not only in terms of his local audience, but also those now connected by land line. Unlike a live audience who may be able to half hear even with the microphone turned off, those listening in will hear nothing at all if the sound operator fails to react quickly to someone speaking and this is especially noticeable when using a switch to turn microphones on and off, perhaps missing the first word or sentence even.

Like a normal radio station, total silence in the program is highly undesirable and can mislead the listener to think there is a fault in the system perhaps even causing them to hang up and end the call by mistake. To avoid this, the sound operator must always be transmitting something even a small amount of background noise (chatter) will help. This is especially important

before and after the meeting as well as in between program items. Even during the singing of songs, a small amount of audio via a half opened microphone (not the one next to the chairman please!) will greatly enhance the program output to those listening in and make them feel totally involved. Thought is required by the sound operator as to what is being heard by the listeners. His efforts in this regard will be highly valued by the callers.

Multiple callers can listen at the same time by using a call conferencing service.

Anyone using the service is well advised to buy a modern loudspeaking telephone which has a mute feature. This cuts off the internal microphone on the telephone and can make the sound even clearer especially if multiple users are connected on each line. If the telephone is placed on a hard surface then the volume will be found adequate for a room with three or four people in it.

For larger venues or locations where the volume is not adequate i.e. many miles from the serving telephone exchange, use a handset with jack audio output. This allows connection from the telephone line into a line input (i.e. CD) on a hi-fi system and hence the signal can be adjusted for loudness and quality by using the volume and tone controls. Of course this could also be used in remote areas for connecting halls together when for example the public speaker is unable to get to the venue for whatever reason or even for memorial overflow situations.

The TDS1 S/R Dialup Unit is microprocessor controlled and makes use of surface mount technology to achieve small size together with high reliability. All components are conservatively rated to give a long service life.

These instructions are written to help you get the best from your Dialup unit but they need to be followed closely especially by the sound operator if you are to achieve this. For best possible results, invest in an automatic microphone mixer to avoid missing the first word or even sentence of any comments, as this is highly frustrating to Dialup users.

TROUBLESHOOTING See www.dt4u.com for latest information

- 1 **No Power** Make sure the power is on and everything switched on. If the green power light is unlit, unplug the power supply and check the fuse (FS5). If blown, replace with the correct size fuse. Do NOT replace with a larger fuse or permanent damage may be caused (warranty void).
- 2 **Cuts Off** Do not try to send too loud a signal down the telephone line otherwise this will be interpreted by the microprocessor as a disconnect signal. If the received sound crackles or cuts off, reduce the output level (VR1) until a clear sound is received.
If you have been connected for around three hours and then the TDS cuts off, check that the three hour timer link (J17) is disabled (out).
- 3 **Too Quiet** There is a limit to the signal level that can be sent down a telephone line. If the received sound is too quiet, the user will need an amplified telephone or better, a hands free telephone with volume control. Models vary so ask for a demonstration.
- 4 **No Audio** Check all the audio wiring for continuity. Ensure the audio signal is applied between XLR pins 2 and 3. Check LED 5 flashes weakly in sync with the audio.
- 5 **Storm** There was a storm and now the TDS does not work. Return to base for repair and check.
- 6 **Erratic** After connecting the facilities wiring, the TDS becomes unreliable. Could be faulty wiring (intermittent joints or short circuits). Or the wiring could run close to a source of electrical interference eg thyrister lighting - re-route the cable. Disconnect facilities wiring and try basic TDS operation.
- 7 **Remote** Remote LED doesn't work - Reverse the connections.
- 8 **No Disconnect** In Auto mode, the TDS looks for a standard 'k' break signal from the telephone service provider. If this is missing, your TDS will not clear when a call is ended. Many PABX systems have non standard clear signals. Always confirm operation by connecting your TDS into a standard telephone line.

TECHNICAL DETAILS

Power:	15V AC/DC 100mA
Fuses:	1 x 20mm 500mAT Power 2 x 100mA Auto resetting
Audio:	0.5V - 100V balanced input Nominal 0dBm balanced output
Remote Start	Capable of switching 50mA to 0V at 12V or 10mA at 50V. 600mW absolute MAX. Set using link J23. Note: This can be configured as a second Remote LED by enabling link J22.
Remote LEDs	5V output via 470Ω Resistor
REN:	1.0
Approvals:	CE approved
DOC	Declaration Of Conformity - Available on request

ACCESSORIES

Available to special order and at additional cost for this product - see www.dt4u.com for more details.

WARRANTY

The TDS1 S/R is guaranteed for a period of 1 year from the date of purchase provided that it has been used in accordance with all these instructions. This warranty specifically does NOT cover damage by lightning or user abuse and is on condition that the unit is returned by prior agreement, to the supplier. Repair or replacement is at the discretion of the supplier under the terms of this warranty.

In the unlikely event that your TDS1 S/R fails, please contact the supplier for a return address. When returning a unit, use the original packaging, be sure to include a return address and contact point, and include a brief description of the problem. We will provide a repair estimate if asked in advance.

OVERVIEW

The TDS1 S/R (Telephone Dialup System Send / Receive - 1 line) was originally designed to allow anyone to dial into a sound system and listen live to the program audio feed. In the AUTOMATIC mode, the TDS will answer the first incoming telephone call and connect the caller to the audio. In the MANUAL mode, calls can be established and controlled from the TDS unit. The facilities connector allows access to various switching and output signals and can be used to operate remote equipment, generate alarms or give visual indication of status.

This makes the TDS unit valuable for many applications ranging from:

- * Remote monitoring of audio signals such as transmitter sites.
- * Live monitoring of a sound system.
- * Messaging services.
- * Audio program hookups.
- * Remote switching.
- * Telephone Conversation Recording.
- * Remote forwarding of audio signals over a sound system.