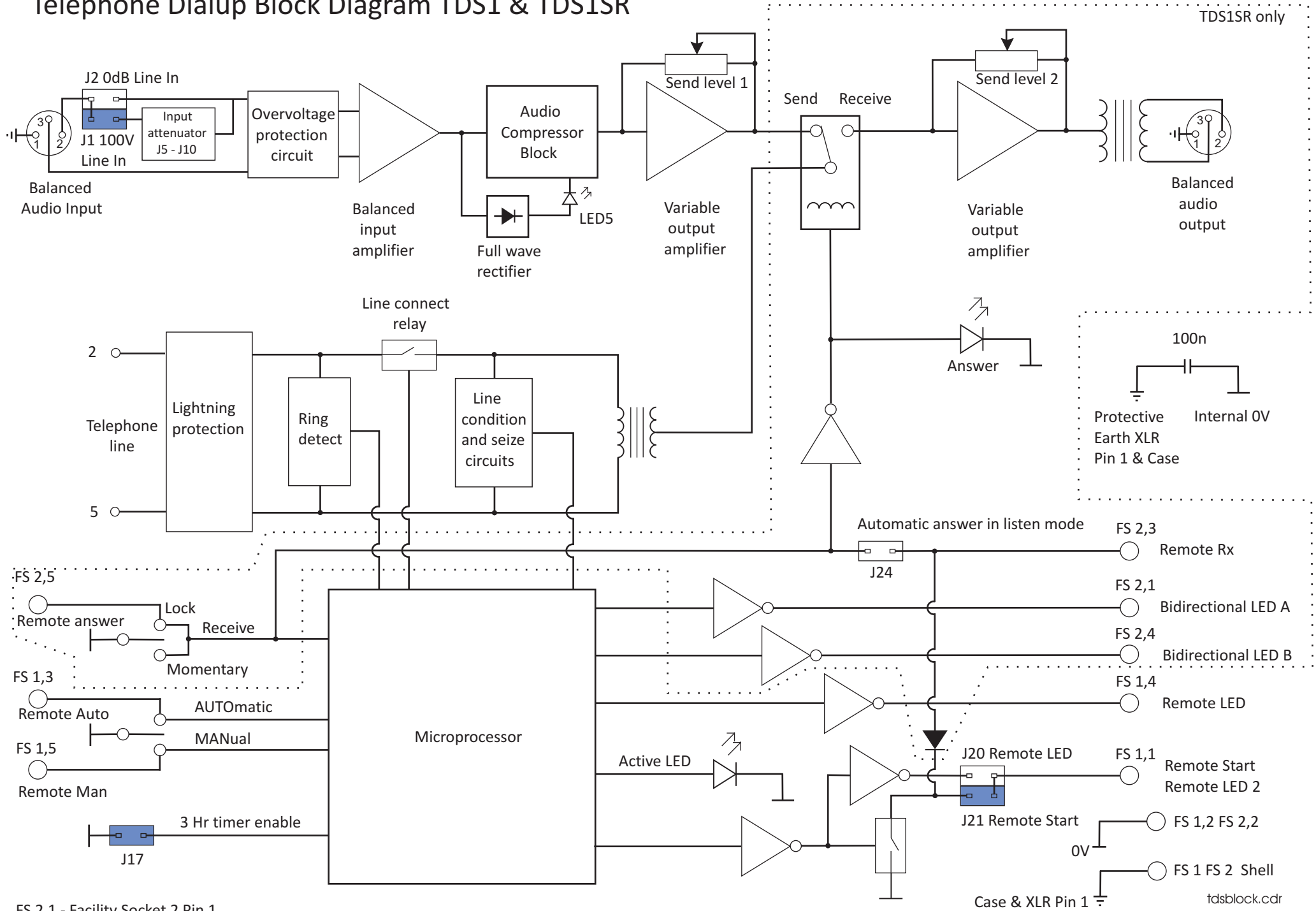


Telephone Dialup Block Diagram TDS1 & TDS1SR



FS 2,1 - Facility Socket 2 Pin 1